

All valves in low temperature steel

Stop Needle Valves, type SNV-ST for Industrial Refrigeration Applications

SNV-ST is a new range of stop needle valves (gauge valves).

The valves are designed to meet all industrial refrigeration application requirements.

Designed as service and instrumentation valves, they provide favourable flow characteristics and are suitable for "heavy duty" industrial applications, having a very sturdy and safe design for high pressures and wide temperature range.

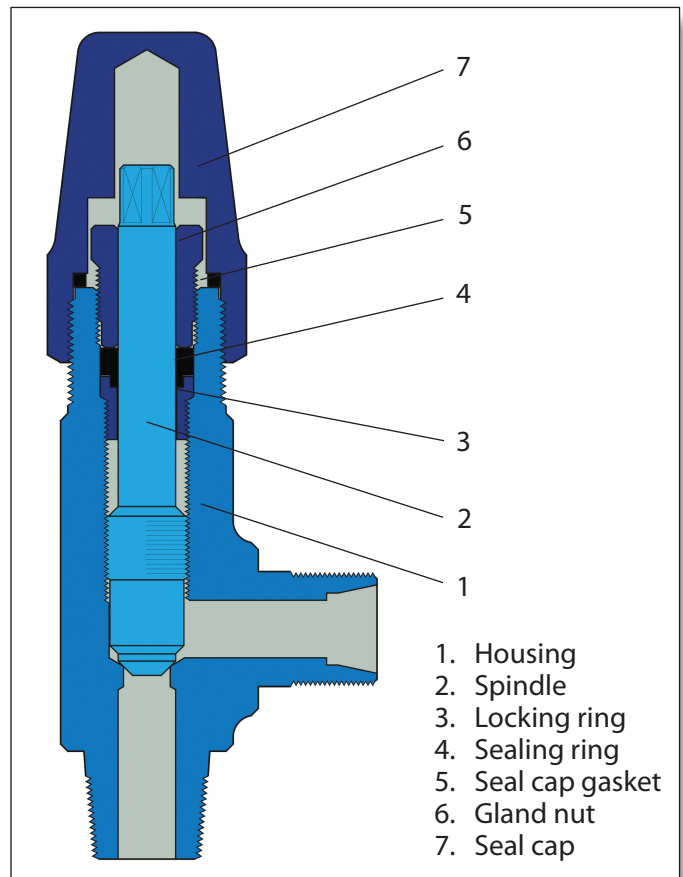
Valve safety is enhanced with the spindle being secured such that it cannot be unscrewed.

Quality in detail

- Applicable to all common non flammable refrigerants including R 717 and non corrosive gases/ liquids dependent on sealing material compatability
- No special flow direction required
- Valve safety is enhanced with the spindle being secured such that it cannot be unscrewed
- All valves are clearly marked with type and size
- Housing and bonnet are made from low temperature steel according to requirements of the Pressure Equipment Directive and other international classification authorities
- Max. operating pressure: 50 bar g (725 psi g). Valves for higher operating pressures are available on request
- Temperature range: -60/+150°C (-76/+302°F)
- Compact and light for easy handling and installation



SNV-ST with special pressure gauge connection



Refrigerants:

Applicable to all common refrigerants including R 717 and R744 (CO₂) and non corrosive gases/liquids. Flammable hydrocarbons are not recommended.

Pressure range:

The SNV-ST is designed for maximum operating pressure of 50 bar g (725 psi g). Valves for higher operating pressure available on request.

Temperature range:

-60/+150°C (-76/+302°F).