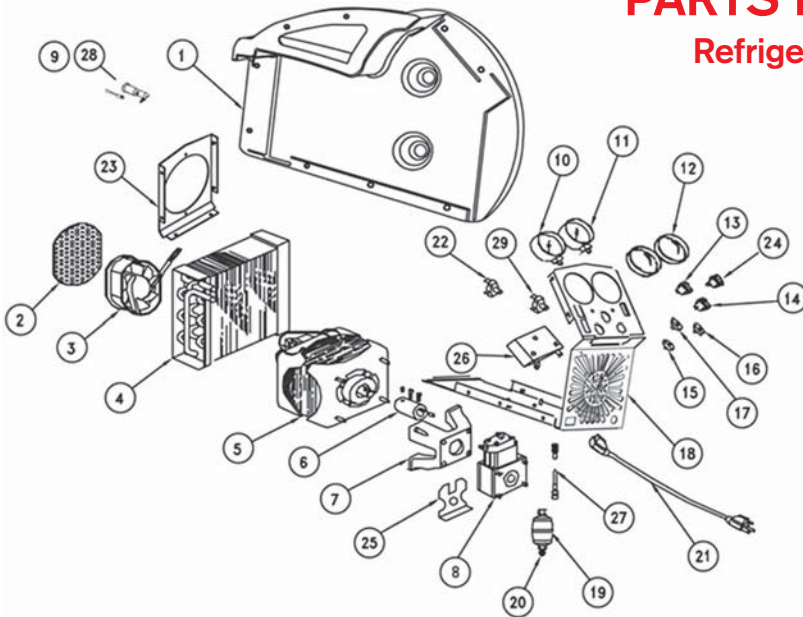


PARTS LIST RG5410A-E

Refrigerant Recovery Machine, RG5410A-E Parts List



Item	Description	Part Number
1	Plastic case	100134 L&R
2	Fan grill	100505
3	Axial fan 230 V	EL1818
4	Condenser	CD1201
5	Motor 230 V	EL1822
6	Coupler	CP1315
7	Bell housing	CP1001
8	Compressor	CP1320
9	Fuse - 5 x 20 mm	100406
10	Input gauge	GA1500
11	Output gauge	GA0800
12	Gauge lens	GA1000
13	On/Off switch	EL1310
14	Start switch	EL1309
15	Blue knob	100123

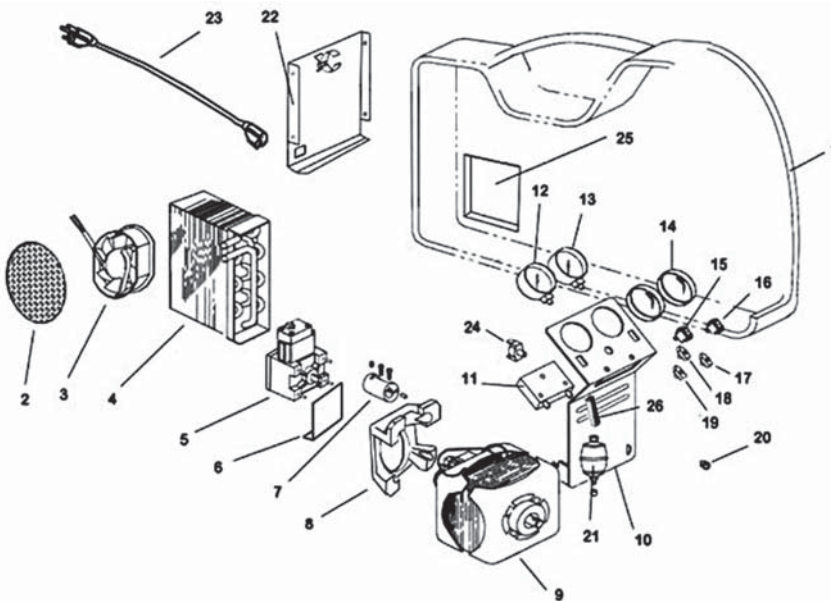
Item	Description	Part Number
16	Red knob	100124
17	Black knob	100122
18	Front panel complete	700077
19	Filter	100343
20	Flare cap	NB6501
21	Powercord	135-200341-001
22	High Pressure switch	EL2802
23	Rear panel	100318
24	Select Switch	105-200396-001
25	Compressor Bracket	100207
26	Manifold complete	700009
27	Hose 4"	100345
28	Fuse holder	100419
29	VAC Sensor	RA 18752

Replacement Kits & Accessories

Part#	Description
KT3302	Piston seal replacement (middle section of compressor)
KT3303	Valve replacement kit (top section of compressor)
KT3307	Compressor repair kit (all three sections of compressor)
KT3308	Shaft replacement kit (bottom section of compressor)
RGT30NS	12,5 kg recovery tank, 24,1 bar (350 psi) working pressure
RGT50NS	26 kg recovery tank, 24,1 bar (350 psi) working Pressure

PARTS LIST MINIMAX-E

Refrigerant Recovery Machine, MINIMAX-E Parts List



Item	Description	Part Number
1	Plastic case	100118
2	Fan grill	100179
3	Axial fan 230 V	100242
4	Condenser	100139
5	Compressor	CP1320
6	Compressorbracket	100207
7	Coupler	CP1315
8	Bell housing	CP1001
9	Motor 230 V	EL1822
10	Frontpanel complete	700079
11	Manifold	700009
12	Input gauge	GA1500
13	Output gauge	GA0800

Item	Description	Part Number
14	Gauge lens	GA1000
15	ON/OFF switch	EL1310
16	Starts switch	EL1309
17	Red knob	100124
18	Black knob	100122
19	Blue knob	100123
20	Flare cap	NB6501
21	Filter	100343
22	Rear panel	105-200430-001
23	Powercord	135-200341-001
24	Pressure switch	EL2802
25	Fan grill inlet	100180
26	Filterconnector	100345

Replacement Kits & Accessories

Part#	Description
KT3302	Piston seal replacement (middle section of compressor)
KT3303	Valve replacement kit (top section of compressor)
KT3307	Compressor repair kit (all three sections of compressor)
KT3308	Shaft replacement kit (bottom section of compressor)
RGT30NS	12,5 kg recovery tank, 24,1 bar (350 psi) working pressure
RGT50NS	26 kg recovery tank, 24,1 bar (350 psi) working Pressure