

## Serie A25CN Limit Control Manual Reset

### Introduction

These warm air limit controls "lock out" on a temperature increase to the control setpoint. Manual reset is required to re-close the electrical contacts. A typical application is to stop air-conditioning or ventilating fans in the event of excessive return air temperature, as from a fire.

### Description

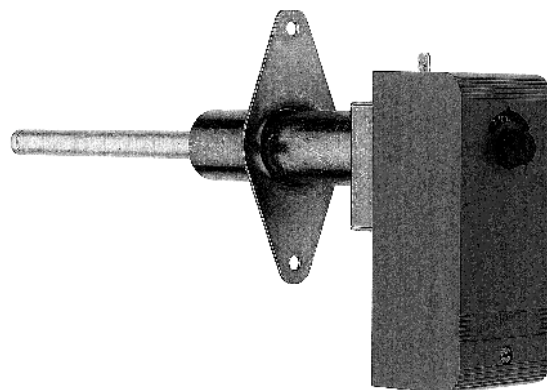
A rod and tube type sensing element actuates the switch contacts. Main contacts (1 - 2) are normally closed, and open when the temperature at the element rises to the dial setpoint. Contacts are re-closed only by operation of the reset lever. The reset lever is "trip-free" and cannot be used to block contacts in a closed position.

### Location

Select a location in the duct or plenum where the temperature element senses the average temperature to be controlled and is in free air circulation.

### Mounting

The instrument is mounted by means of the flange which is supplied with the control. The element is to be inserted in the duct and must be in the airstream as much as possible. It should not be in contact with any object inside the duct.



**A25CN**

### Note

These controls are designed for use only as operating controls. Where an operating control failure would result in personal injury or loss of property it is the responsibility of the installer to add devices or systems that protect against, or warn of, control failure.

### Adjustment

These thermostats are standard available with a knob adjustment. This knob can be removed in the field to provide screwdriver adjustment.

#### Feature and Benefits

<input type="checkbox"/> <b>Rod and tube type of element</b>	Gives maximum response
<input type="checkbox"/> <b>Adjustable duct mounting flange</b>	Allows high maximum element temperature
<input type="checkbox"/> <b>Trip-free manual reset</b>	Allows various lengths insertion of the element into the airstream
<input type="checkbox"/> <b>Dust-tight Penn switch</b>	Override is not possible in the control function
	Prevent pollution of the contacts by electromagnetic influences

## Contact function

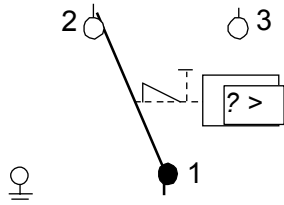


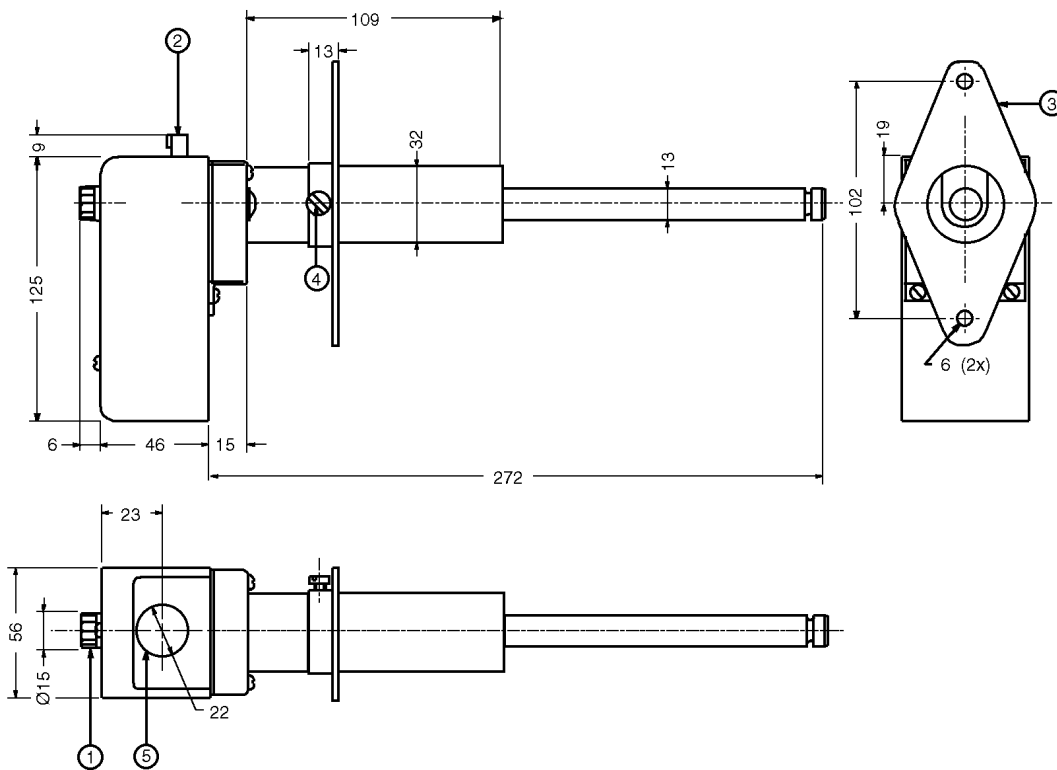
Fig. 1

1 - 2 opens on temperature increase.

## Repair and replacement

Repair is not possible. In case of an improperly functioning control, please check with your nearest supplier. When contacting the supplier for a replacement you should state the type/model number of the control. This number can be found on the data plate or cover label.

## Dimensions (mm)



- 1 Dial knob
- 2 Reset lever
- 3 Flange
- 4 Set screw 1/4 "- 20 UNC
- 5 Ø 22.3 cable inlet hole for PG 16.

---

# Notes

## Specifications

<b>Type number</b>	<b>A25CN-9001</b>
<b>CE Conformity</b>	According to low voltage directive and EMC directive
<b>Range</b>	0 to 100 °C
<b>Electrical rating</b>	~15(8) A 230 V
<b>Max. element temperature</b>	150 °C
<b>Max. case temperature</b>	55 °C
<b>Power element</b>	Rod and tube construction
<b>Reset</b>	Positive, trip-free reset mechanism. Control can be reset when temperature drops 15 K below dial setting.
<b>High limit dial stop</b>	Adjustable (in steps) between 50 °C and 95 °C.
<b>Shipping weight</b>	<b>Individual pack</b> 0.9 kg <b>Overpack</b> 15 kg (16 pcs)
<b>Enclosure (protection class)</b>	IP30
<b>Dimensions</b>	(see dimension drawing)

*The performance specifications are nominal and conform to acceptable industry standards. For applications at conditions beyond these specifications, consult the local Johnson Controls office or representative. Johnson Controls shall not be liable for damages resulting from misapplication or misuse of its products.*



### Johnson Controls International, Inc.

Headquarters: Milwaukee, WI, USA  
 European Headquarters: Westendhof 8, 45143 Essen, Germany  
 European Factories: Lomagna (Italy), Leeuwarden (The Netherlands) and Essen (Germany)  
 Branch Offices: Principal European Cities.  
 This document is subject to change

Printed in Europe