

CAREL



 **ir33**

ir33 power ...the evolution continues !

ir33 represents the maximum that CAREL technology has to offer in the field of applications for refrigeration.

The market first regards the new line of products fitted with relays for controlling compressors with power ratings of up to 2 HP.

The extraordinary level of technological integration offered by these instruments is a major innovation.

Housed in cases with the same dimensions as the current models are up to 3 relays, a 230 V power supply with built-in transformer, clock and serial connection for the programming key or connection to the supervisory system.

The defrost output has changeover contacts, an important and indeed essential feature in some applications, above all where the normally closed contact is required for other loads that need to be activated when the defrost is not running.



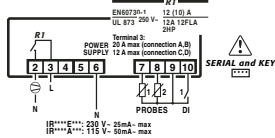
General hardware characteristics

- 2 HP relay for compressor output;
- defrost output with changeover contacts;
- buzzer as standard on all models;
- possibility on all models to connect HT NTC temperature probes for measuring temperatures up to 150°C;
- digital inputs that can be configured for the connection of NTC probes;
- infrared option for using the remote control;
- models fitted with real time clock for the defrost and HACCP functions;
- possibility to download/read the parameters via a programming key;
- 230 Vac versions with built-in transformer;
- high-efficiency green LED display with icons.

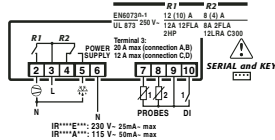
General software characteristics

- condenser probe management;
- smart defrost with different operating modes;
- management of HACCP functions;
- possibility to configure the auxiliary relay as a second delayed compressor;
- user interface and parameters compatible with the ir32 range;
- pump-down management;
- automatic serial address assignment procedure;
- selective keypad lock for individual functions or buttons;
- defrost management on the 2nd evaporator.
- up to 6 different programming set of parameters in the same control.

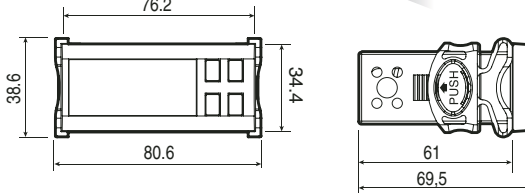
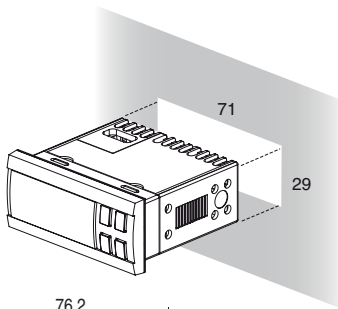
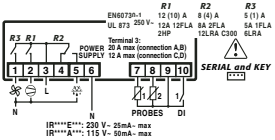
IR33S0EHA0



IR33Y0EHA0



IR33F0EFA0



ir33		IR33S0EHA0	IR33Y0EHA0	IR33F0EFA0	IR33F0EFA0
Model		IR33S0EHA0	IR33Y0EHA0	IR33F0EFA0	IR33F0EFA0
power supply		230 Vac	230 Vac	230 Vac	230 Vac
outputs	compressor	2 Hp - 12(10) A	2 Hp - 12(10) A	2 Hp - 12(10) A	2 Hp - 12(10) A
	defrost	-	8 A	8 A	8 A
	evaporator fans	-	-	5 A	5 A
inputs	room temp.	•	•	•	•
	defrost temp.	•	•	•	•
	dig. in/ probe 3	•	•	•	•
plus	HACCP	-	-	-	•
	prog. with key	•	•	•	•
	high efficiency display	•	•	•	•
	buzzer	•	•	•	•
	infrared	-	-	-	•
	real time clock	-	-	-	•
	RS485 option	•	•	•	•

Headquarters

CAREL S.p.A.
Via dell'Industria, 11
35020 Brugine - Padova (Italy)
Tel. (+39) 0499 716611
Fax (+39) 0499 716600
carel@carel.it - www.carel.it

Subsidiaries

CAREL Australia Pty Ltd
www.carel.com.au
sales@carel.com.au

CAREL China Ltd.
www.carelhk.com
sales@carelhk.com

CAREL Deutschland GmbH
www.carel.de
info@carel.de

CAREL Export
www.carel.com
carelexport@carel.com

CAREL France Sas
www.carelfrence.fr
carelfrence@carelfrence.fr

CAREL Italia
www.carel.com
carelitalia@carel.com

CAREL Sud America Ltda.
www.carel.com.br
carelsudamerica@carel.com.br

CAREL U.K. Ltd.
www.careluk.co.uk
careluk@careluk.co.uk

CAREL USA L.L.C.
www.carelusa.com
sales@carelusa.com

Affiliated Companies:

CAREL Korea Co. Ltd.
www.carel.co.kr
info@carel.co.kr

CAREL (Thailand) Co. Ltd.
www.carel.co.th
info@carel.co.th

www.carel.com

© CAREL S.p.A. 2005 All rights reserved

CAREL reserves the right to modify the features of its products without prior notice.