

OIL REGULATOR SHUT-OFF VALVES

The function of Oil Regulator Shut-off valves is to provide a means for equipment isolation. Horizontal and vertical models are available.

Applications

These valves are positioned on the oil inlet and equalisation pipe lines of Henry Technologies Oil Level Regulators. This allows each oil level regulator to be isolated in the event that servicing is required on the compressor, oil level regulator, strainer, etc.

The valves are suitable for HCFC and HFC refrigerants, along with their associated oils.

On request, these valves can be supplied with a higher pressure rating for sub-critical CO₂ and R410A applications.

Main features

- Two mounting options – horizontal and vertical
- 360° positioning via swivel connection

Technical Specification

Allowable operating pressure = 0 to 34.5 barg

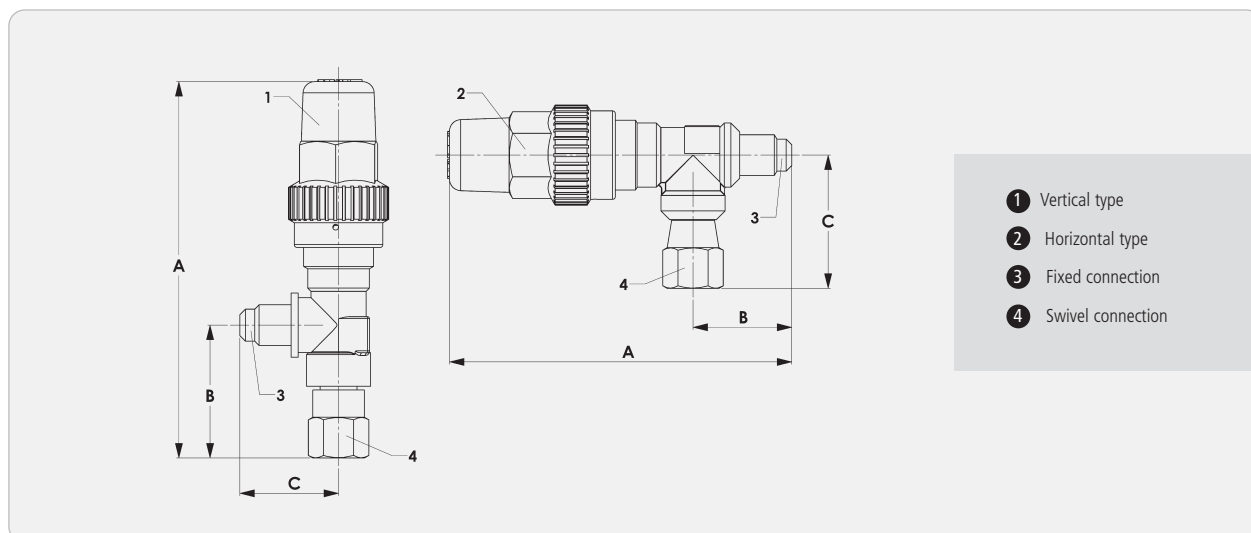
Allowable operating temperature = -10°C to +100°C

Materials of Construction

The main body and swivel nut are made from brass. The stem is made from plated steel. The stem seal cap is made from moulded plastic.



Part No	Conn Size (inch)		Dimensions (mm)			Type	Weight (kg)	CE Cat
	Fixed	Swivel	A	B	C			
S-9106E	1/4 SAE Flare	1/4 SAE Female Flare	102	37	27	Vertical	0.14	SEP
S-9106H	3/8 SAE Flare	3/8 SAE Female Flare	92	27	39	Horizontal	0.16	SEP
S-9106V	3/8 SAE Flare	3/8 SAE Female Flare	104	39	32	Vertical	0.17	SEP
S-9106EH	1/4 SAE Flare	1/4 SAE Female Flare	92	27	36	Horizontal	0.15	SEP



OIL REGULATOR SHUT-OFF VALVES