

MECHANICAL OIL LEVEL REGULATORS

The function of a Mechanical Oil Level Regulator is to control the oil level in the compressor crankcase. This protects the compressor from damage.

There are two main types of Mechanical oil level regulators - fixed level and adjustable level.

Applications

Mechanical oil level regulators are used in Low Pressure Oil Management Systems. They are designed for use with reciprocating compressors. They are not recommended for scroll compressors.

All regulators are suitable for HCFC and HFC refrigerants, along with their associated oils. The unique features of the SN model allow it to be used in ammonia, R410A and sub-critical CO₂ applications.

How it works

Oil is fed to the regulator via an inlet connection. An internal needle valve either allows or shuts off an oil supply to the regulator. An internal ball float controls the position of the needle valve. During compressor operation, the crankcase oil level reduces. A reduction in oil level activates the regulator, which ensures the correct crankcase oil level is achieved and maintained.

The adjustable regulator has an in-built mechanism that allows the ball float to be adjusted up or down. This means that the crankcase oil level can be adjusted, in line with the compressor manufacturer's guidelines. The fixed level regulator does not have an adjusting feature hence the crankcase will be maintained at a fixed oil level.

Some regulator models are fitted with an equalisation connection that enables the oil levels between several compressors to be balanced.

In the majority of cases, Henry Technologies oil level regulators can be fitted directly to the compressor sight glass port. Where direct mounting is not possible, a separate adaptor can be used. Refer to Adaptor Kit table.

Main Features

- Proven needle valve design
- Stainless steel ball float
- Special mounting flange - allows direct fitting to standard compressors
- Premium quality neoprene seals
- Seal adaptor kit supplied with each model
- Visual indication of oil level via large sight glass
- Double O-ring stem seal design - adjustable model
- Easy adjustment mechanism - adjustable model



Technical Specification

For all models, excluding SN model:-

Allowable operating pressure = 0 to 31 barg

Allowable operating temperature = 0°C to +130°C

For SN model:-

Allowable operating pressure = 0 to 40 barg

Allowable operating temperature = -10°C to +110°C

Refer to table for the allowable oil pressure differential for the Henry range of regulators.

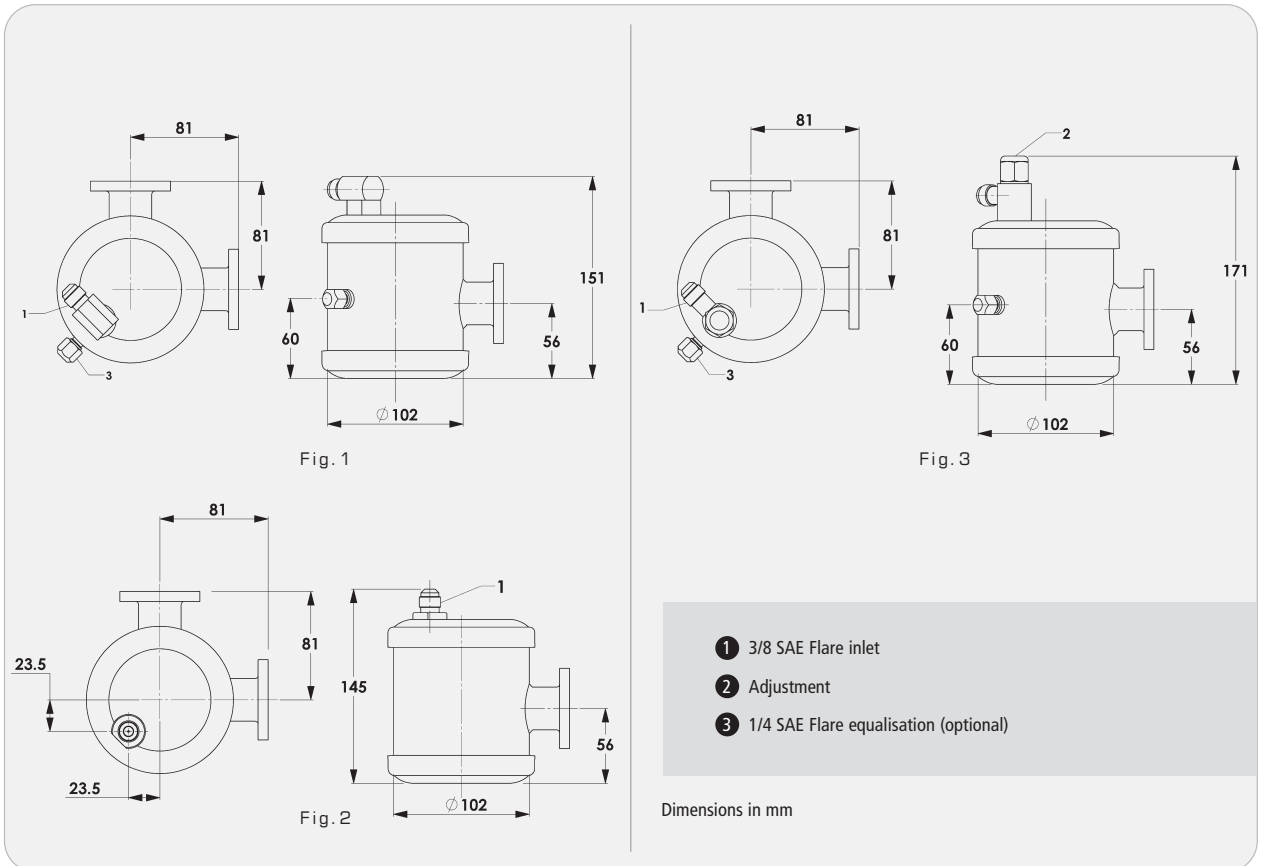
Important information

1. As a result of a modification to the Bitzer oil ventura device in May 1997, it is no longer necessary to provide an oil guard on the oil level regulator.
2. Copeland confirm a 1/2 sight glass oil level is acceptable, rather than 1/4 sight glass, for all compressors fitted with an oil management system.

Materials of Construction

The main components; shell, end caps and connections are made from carbon steel. The ball float is made from stainless steel. The needle valve seat is made from either brass or steel, dependent on model.

Part No	Regulator type	Sight glass oil level	Equalisation	Allowable oil pressure differential, bar	Drawing reference	MWP (barg)	Weight (kg)	Compressor sight glass connection	CE Cat
S-9510	Fixed	1/2	No	0.35 to 2.1	fig.1	31	2.20	3-Bolt 1.7/8" B.C. & 4-Bolt 50mm B.C.	SEP
S-9510E	Fixed	1/2	Yes	0.35 to 2.1	fig.1	31	2.20		SEP
S-9510V	Fixed	1/2	No	0.35 to 2.1	fig.2	31	2.10		SEP
S-9530	Adjustable	1/4 to 5/8	No	0.35 to 6.2	fig.3	31	2.30		SEP
S-9530E	Adjustable	1/4 to 5/8	Yes	0.35 to 6.2	fig.3	31	2.30		SEP
SN-9530EHP	Adjustable	1/4 to 5/8	Yes	0.35 to 6.2	fig.3	40	2.30		SEP



Selection Guidelines

The correct selection depends on the refrigerant type, differential oil pressure acting on the regulator, and the user's preference for crankcase oil level control. Some users prefer the simplicity of model S-9510 while others prefer model S-9530E, owing to the larger pressure differential, oil level adjustment and equalisation features.

Note: Differential oil pressure is the difference between the supply pressure at inlet to the regulator and the pressure inside the compressor crankcase. Gravity pressure head should be included also, if applicable.

Installation – Main issues

1. To protect the regulator from system debris, an oil strainer, oil filter or oil filter-drier is recommended.
2. The regulator can be fitted directly to 2, 3 and 4 cylinder compressors and to most 6-cylinder compressors that use a standard 3 or 4 bolt sight glass. For other compressor configurations, an adaptor will be required.
3. The regulator should not be subjected to excessive vibration. The operating differential oil pressure should be within the range of the regulator's specification.
4. The oil level must be set and controlled in line with the compressor manufacturer's guidelines.
5. Full instructions are given in the Product Instruction Sheet included with each regulator.

Compressor Model	Sight Glass Configuration	Adaptor Kit Part Number	CE Cat
Bitzer	4-Bolt 50mm B.C.	3-033-253 (note 1)	SEP
Bitzer Octagon	1 1/8" - 18 Thread	3-033-262	SEP
Bock	4-Bolt 50mm B.C.	3-033-244	SEP
Bristol	15/16" - 20 Thread	3-033-242	SEP
Carrier (DA,DR,5F,5H,06D)	1 1/2" - 18 Thread	3-033-204	SEP
Carrier models (EA,ER,OBE & OBCC)	3 Bolt 1 7/8" B.C.	3-033-201	SEP
Copeland (8R & 8D)	3 Bolt 1 7/8" B.C.	3-033-212	SEP
Copeland Discus (4R,6R,9R,MD,MR,NR)	3 Bolt 1 7/8" B.C.	3-033-201	SEP
Copeland (HA,KA,EA,3A,LA,ER & 3R)	1 1/8"-12 Thread	3-033-202	SEP
Dunham (Bush Big 4)	3 Bolt 1 7/8" B.C.	3-033-201	SEP
Frascold	3 Bolt 1 7/8" B.C.	3-033-201	SEP
Maneurop	1 1/8"-18 Thread	3-033-246	SEP
Prestcold (C,E,R,L & LG)	M42 Thread	3-033-216	SEP
Prestcold (K)	1 1/8"-12 Thread	3-033-202	SEP
Royce	3/4"NPT.Thread	3-033-218	SEP
Schnacke-Grasso	2"-16 Thread	3-033-205	SEP
Tecumseh (P,R,S,PA,RA,SA,CK,CM,CH,CG)	1 1/8"-12 Thread	3-033-202	SEP
Trane (M,R)	3 Bolt 1 7/8" B.C.	3-033-201	SEP
Trane (K)	3/4" NPT Thread	3-033-218	SEP
York (GC,GS,JS)	3 Bolt 1 7/8" B.C.	3-033-201	SEP
Universal adaptor kit	ANY	3-033-217 (note 2)	SEP
Equalisation adaptor kit	3 Bolt 1 7/8" B.C.	3-033-226 (note 3)	SEP
Bitzer	4-Bolt 50mm B.C.	A4448 (note 4)	SEP
Standard seal kit	N/A	A4480 (note 5)	-

Notes:-

- Oil guard feature included. The oil guard feature is only required on Bitzer compressors which were manufactured before May 1997.
- This adaptor kit has a 3 hole flange to mount the regulator. The compressor end of the kit is a 1 1/4" OD steel tube. The existing compressor sight glass gland or flange must be bored out or bushed down to accept the 1 1/4" tube. The tube is then welded or brazed to the reworked gland or flange and installed on the compressor. A sight glass, seals and hardware are included in the kit.
- This kit with its 1/4" male flare connection allows non equalised regulators to be interconnected (equalised).
- This is a shortened version of 3-033-253. The oil guard feature is included. It is designed for the S-95 series regulators.
- This is the standard seal kit supplied with each S-95 series regulator. It includes all the parts in 3-033-201 along with a special sandwich piece and O-ring for sealing a Bitzer 4 bolt sight glass.

Warning: Regulators should not be operated at 1/4 sight glass or below when using an adaptor with an inside diameter smaller than the regulator flange port.