



www.madel.com

KLIN system



KLIN system consists of a range of ceiling diffusers that can be converted into access panels that conform with the regulations required for maintenance of HVAC installations.

KLIN system allows for the easy access to the installations above the ceiling with no need of tools. By slightly pressing on the invisible latch, the core opens, remaining hinged on one side. If necessary the core can be easily removed for washing or filter replacement.

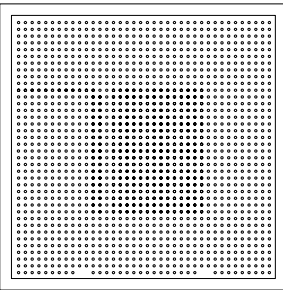
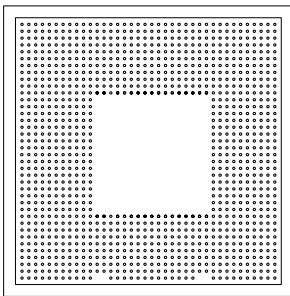
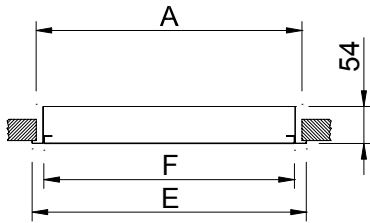


MADEL®

we shape the air



DFZ series



DFZ-S4 Four 4-way perforated face diffuser to be used from 2,6 up to 4 metres high. Hinged removable core for easy maintenance.

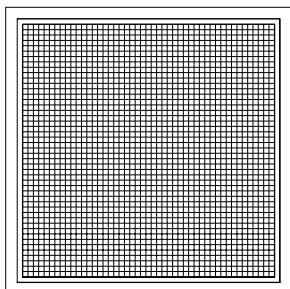
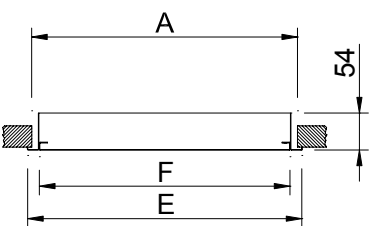
Dim. mm	E	A	F	Q < 35 dB(A)	Q = 40 dB(A)	Q = 50 dB(A)
300	295	269	245	155 - 215	250	290
400	395	369	345	240 - 350	420	500
500	495	469	445	350 - 450	560	700
600	595	569	545	460 - 640	770	910
625	620	594	570	460 - 640	770	910

DFZ-R Perforated face diffuser to be used in air return. Hinged removable core for easy maintenance.

DFZ-R+PFT Perforated face diffuser with K8 filter class to EN 779:G3, to be used in air return. Hinged removable core for easy maintenance.

Dim. mm	E	A	F	Q < 35 dB(A)	Q = 40 dB(A)	Q = 50 dB(A)
300	295	269	245	108 - 180	195	210
400	395	369	345	230 - 390	425	460
500	495	469	445	360 - 600	660	720
600	595	569	545	540 - 900	990	1080
625	620	594	570	540 - 900	990	1080

RMT-KLIN series



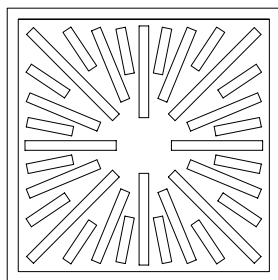
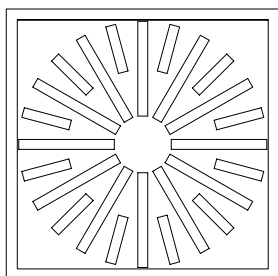
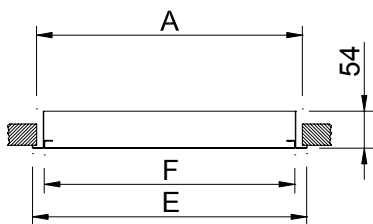
RMT-KLIN Egg crate grille to be used in air return. Hinged removable core for easy maintenance.

RMT-KLIN+PFT Egg crate grille with K8 filter class to EN 779:G3, to be used in air return. Hinged removable core for easy maintenance.

Dim. mm	E	A	F	Q < 35 dB(A)	Q = 40 dB(A)	Q = 50 dB(A)
600	595	569	545	1600 - 3300	3850	4400
625	620	594	570	1680 - 3370	3930	4490



AXO-KLIN series



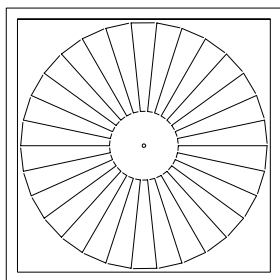
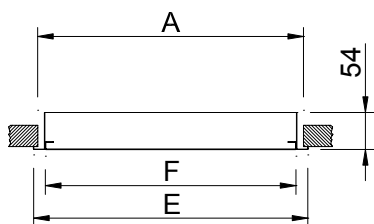
AXO-S-KLIN Swirl diffuser with adjustable vanes in radial arrangement to be used from 2,6 up to 4 m. high. Hinged removable core for easy maintenance.

Dim. mm	E	A	F	Q < 35 dB(A)	Q = 40 dB(A)	Q = 50 dB(A)
400	395	369	345	180 - 320	400	485
500	495	469	445	270 - 375	460	550
600	595	569	545	390 - 500	620	810
625	620	594	570	390 - 500	620	810
600 - 400	595	569	545	180 - 320	400	485
600 - 500	595	569	545	270 - 375	460	550
625 - 400	620	594	570	180 - 320	400	485
625 - 500	620	594	570	270 - 375	460	550

AXO-SX-KLIN Swirl diffuser with adjustable vanes in square radial arrangement to be used from 2,6 up to 4 m. high. Hinged removable core for easy maintenance.

Dim. mm	E	A	F	Q < 35 dB(A)	Q = 40 dB(A)	Q = 50 dB(A)
400	395	369	345	225 - 385	480	580
500	495	469	445	280 - 411	520	630
600	595	569	545	520 - 635	760	910
625	620	594	570	520 - 635	760	910
600 - 400	595	569	545	225 - 385	480	580
600 - 500	595	569	545	280 - 411	520	630
625 - 400	620	594	570	225 - 385	480	580
625 - 500	620	594	570	280 - 411	520	630

RXO-KLIN series

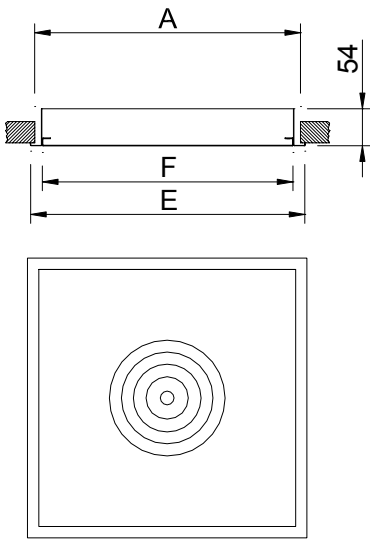


RXO-S-KLIN Swirl diffuser with fixed vanes in radial arrangement to be used from 2,6 up to 4 m. high. Hinged removable core for easy maintenance.

Dim. mm	E	A	F	Q < 35 dB(A)	Q = 40 dB(A)	Q = 50 dB(A)
400	395	369	345	150 - 280	340	410
500	495	469	445	300 - 420	500	600
600	595	569	545	500 - 600	700	820
625	620	594	570	500 - 600	700	820
600 - 400	595	569	545	150 - 280	340	410
600 - 500	595	569	545	300 - 420	500	600
625 - 400	620	594	570	150 - 280	340	410
625 - 500	620	594	570	300 - 420	500	600



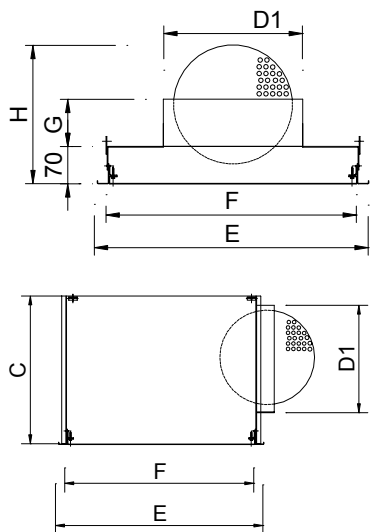
DCN-KLIN series



DCN-KLIN Circular diffuser with fixed cones to be used from 2,6 up to 4 metres high. Hinged removable core for easy maintenance.

Dim. mm	E	A	F	Q < 35 dB(A)	Q = 40 dB(A)	Q = 50 dB(A)
400 - 160	395	369	345	160 - 190	235	280
400 - 200	395	369	345	180 - 250	335	410
500 - 250	495	469	445	295 - 380	475	590
500 - 315	495	469	445	415 - 515	660	870
600 - 160	595	569	545	160 - 190	235	280
600 - 200	595	569	545	180 - 250	335	410
600 - 250	595	569	545	295 - 380	475	590
600 - 315	595	569	545	415 - 515	660	870
600 - 355	595	569	545	490 - 580	750	970
600 - 400	595	569	545	600 - 630	820	1050

Accessories



PLFZ Plenum box with circular upper connection, incorporated to the diffuser.

...-R Flow damper in the spigot.

.../L / Lateral circular connection.

.../AIS/ Thermo acoustically insulated.

Dim. mm	E	F	H	G	C	D1
300	295	245	185	60	280	123
400	395	345	205	100	320	198
500	495	445	286	116	370	248
600	595	545	353	150	435	313
625	620	570	353	150	435	323

Mounting Sidepieces to hang the assembly from the ceiling with drops rods.

