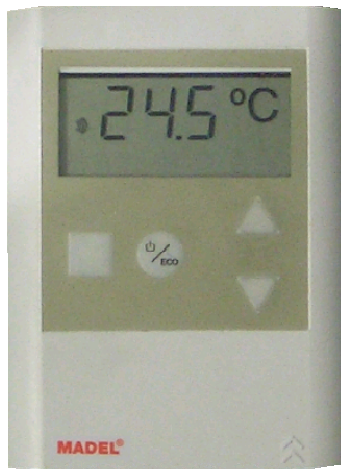


**M A D E L**®

we shape the air



VIA RADIO

K R C [EN]

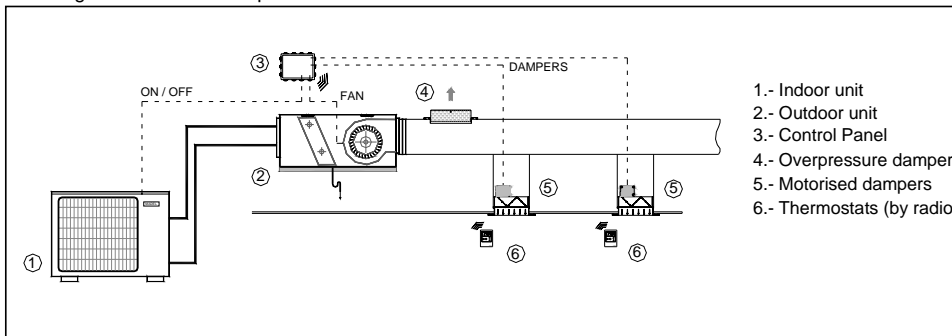
**Zoning System R/C** allows for individualised temperature control of different zones using the same air treatment equipment to provide **increased comfort** in each one.

**KRC** control panel is compatible with any duct-type **direct expansion** air conditioning system.

The control is carried out by means of digital thermostats linked by radio frequency to a control panel who operates the different motorised (24 Vdc) zone dampers. **R/C** Radio-controlled digital thermostats offer an **easy installation**: Neither thermostat wiring nor additional works are required.

**Ecologically friendly**: Zoning System R/C provides a rational use of energy, both from an economic and environmental point of view.

Drawing 1.- KRC. Direct expansion



- 1.- Indoor unit
- 2.- Outdoor unit
- 3.- Control Panel
- 4.- Overpressure damper
- 5.- Motorised dampers
- 6.- Thermostats (by radio)

**KRC Zoning system** is designed to work with **DIRECT EXPANSION** ducted units. Allows to control up to 10 different zones temperatures with only 1 inner unit. See drawing 1.

- KRC (2-6): From 2 to 6 zones
- KRC (7-10): From 7 to 10 zones.

**Applications:** Duct-type direct expansion installations. The control is different depending on the machine type:

- **Electromechanical:** Allowing the replacement of the machine thermostat. The master thermostat takes full control of the air conditioning equipment.
- **Electronic:** The machine thermostat cannot be replaced. The summer/winter changeover must be done both on the machine thermostat and on the master thermostat.

#### Technical characteristics

##### Control panel (receiver)

- Power 230 VAC  $\pm$  10%, 50/60 Hz
- Consumption: 10 VA.
- Outputs:
  - 9 free tension relays 230 VAC x 10 A.
  - 6 outputs 24 VDC, for zones control.
- Outside fixing of the control box by means of screws.
- Protection level: IP 54

##### Thermostats (emitters)

- Power 2 batteries 1,5 V LR06 AA (alkaline). Autonomy 1 year (or superior). The batteries are supplied with the system.
- Battery wear indicator.
- Wall fixing by means of screws (supplied)
- Protection level: IP 30

- Carrier frequency (ISM Band, acc. I-ETS 300-220 standard): 433.92 MHz (Optional: 434.33 MHz)
- Average range: 20 m in the habitat.

#### Options (See the installer manual KRC)

The system can be configured by means of two *switches* SW1 y SW2 of the control panel:

- Compressor start temporization (10 s o 4 min) on electromechanical machine or from the system (electronic machine).
- Control of the 4 ways valves.
- Selection machine type (allowing pulse control).
- Automatic or continuous fan (to leave the fan always working. Only in electromechanical machine).
- Temporization (30 s o 2 min) when closing the last zone. In order to compensate the delay of the fan.
- Pressure compensation. Avoid overpressure in the start of the fan.

#### Accessories (See valid price list to select these elements)

- Motorized dampers (24 VCC) ZP-AZ, adaptable to MADEL grilles.
- Motorized dampers (24 VCC) ZC adaptable to circular ducts.
- Motorized dampers (24 VCC) ZQ adaptable to rectangular ducts.
- Motorized plenums (24 VCC) PL...-ZR, adaptable to MADEL grilles and diffusers.
- Overpressure dampers fitting ZS.
- Security sounder (PT-100). Installation in the batteries of the inner unit.

#### Dimensions (mm):

